

**PLEASE CHECK WWW.MOLEX.COM FOR LATEST PART INFORMATION**

**Part Number:** [0194290035](#)  
**Status:** **Active**  
**Overview:** [mx150l sealed connector system](#)  
**Description:** MX150L™ 4 Circuit Panel Mount Plug for 14 to 22 AWG Wire, Rear Mount Flange Assembly, with Gasket

**Documents:**

[3D Model](#) [Product Specification PS-19417-001 \(PDF\)](#)  
[Drawing \(PDF\)](#) [RoHS Certificate of Compliance \(PDF\)](#)

**Agency Certification**

UL E152602

**General**

Product Family Crimp Housings  
 Series [19429](#)  
 Comments For Inside Panel Mount Application  
 MolexKits Yes  
 Overview [mx150l sealed connector system](#)  
 Product Literature Order No 987650-2181  
 Product Name MX150L™

**Physical**

Circuits (maximum) 4  
 Flammability 94V-0  
 Gender Male  
 Glow-Wire Compliant No  
 Lock to Mating Part Yes  
 Number of Rows 2  
 Packaging Type Bag  
 Panel Mount Yes  
 Pitch - Mating Interface (in) 0.230 In  
 Pitch - Mating Interface (mm) 5.84 mm  
 Polarized to Mating Part Yes  
 Stackable No  
 Temperature Range - Operating -40°C to +125°C

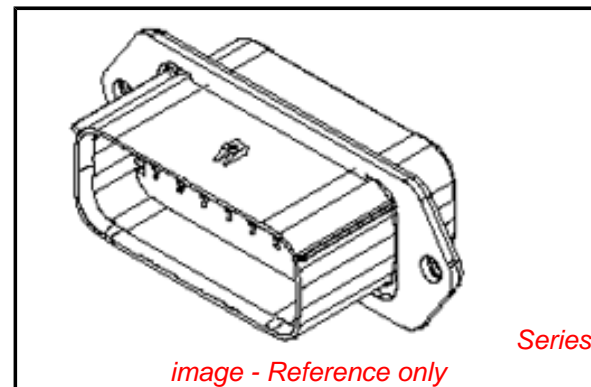
**Electrical**

Current - Maximum per Contact 18A

**Material Info**

**Reference - Drawing Numbers**

Packaging Specification PK-19429-001  
 Product Specification PS-19417-001  
 Sales Drawing SD-19429-002



**EU RoHS**

**ELV and RoHS  
Compliant**  
**REACH SVHC**  
 Not Reviewed  
**Halogen-Free  
Status**

**China RoHS**



**Not Reviewed**

**Need more information on product  
environmental compliance?**

Email [productcompliance@molex.com](mailto:productcompliance@molex.com)  
 For a multiple part number RoHS Certificate of Compliance, [click here](#)

Please visit the [Contact Us](#) section for any non-product compliance questions.

**Search Parts in this Series**

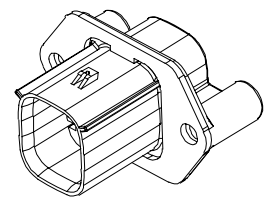
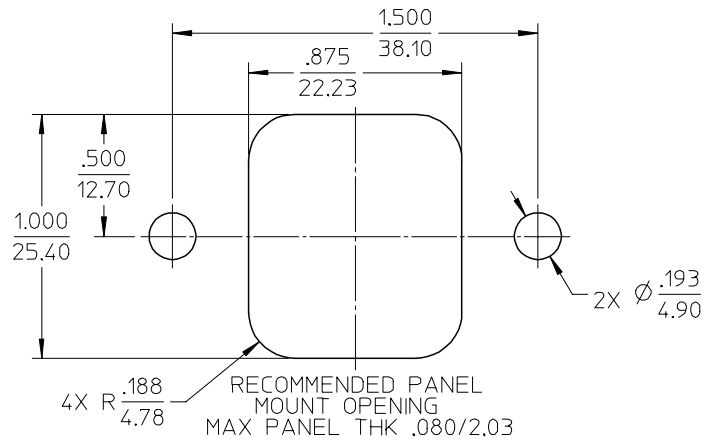
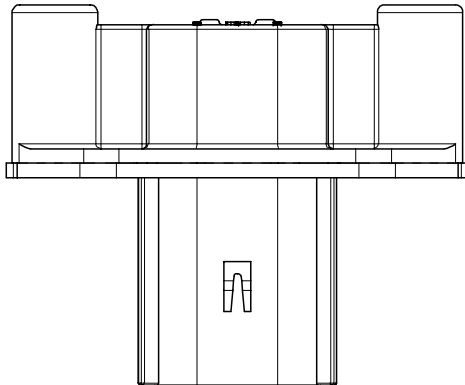
[19429Series](#)

**Mates With**

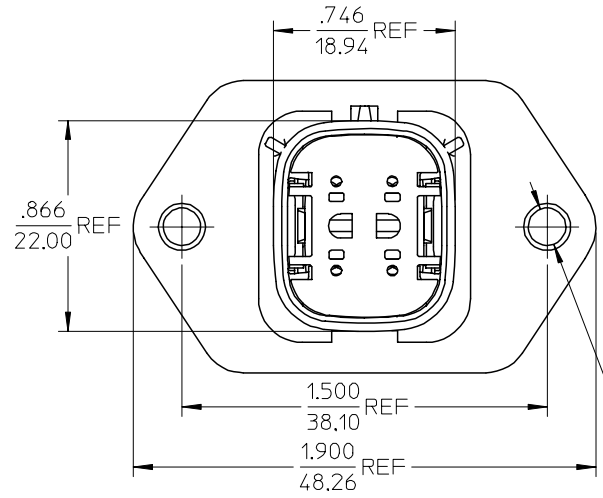
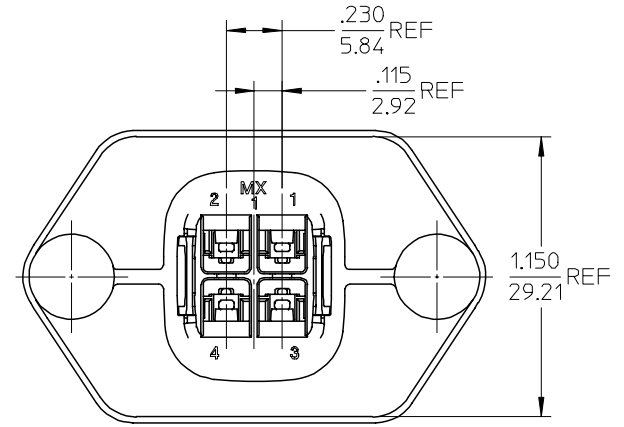
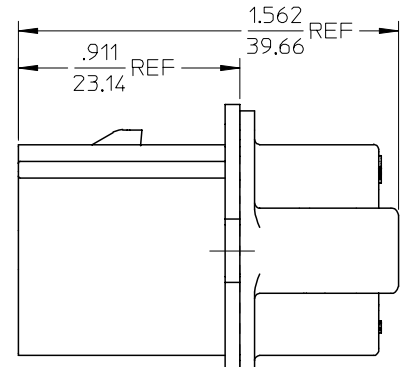
[19418 Receptacle Assemblies](#)

**Use With**

[19417 Male Crimp Terminals](#)



SCALE 1:1



GASKET  
194270024

(A)

- NOTES:
1. ASSEMBLY BULK PACKAGED PER PK-19429-001.
  2. USE CONNECTOR WITH MALE CRIMP TERMINAL: SERIES 19417.
  3. RECOMMENDED MOUNTING HARDWARE: (2)#10 X .62/18.9 LONG PLASTIC THREAD CUTTING SCREWS. SUGGESTED SOURCE: ITW SHAKEPROOF INDUSTRIAL BOSSCREW OR EQUIVALENT. RECOMMENDED TORQUE: 15-17 IN-LBS.

EC NO: ETC2005-0118 DRWN:BRUPERT 2005/01/20 CHKD:JPWLICK 2005/01/20 APPR:RDEROSS 2005/01/20	QUALITY SYMBOLS	GENERAL TOLERANCES (UNLESS SPECIFIED)		SCALE 2:1	DESIGN UNITS INCH
	DESCRIPTION	mm	INCH	DIMENSION STYLE IN/MM	
REV	DESCRIPTION	4 PLACES	± .015	DRAWN BY DMYRICK	DATE 03/10/30
	▽ = 0	3 PLACES	± .038	CHECKED BY JPWLICK	DATE 03/10/30
	∇ = 0	2 PLACES	± .038	APPROVED BY RDEROSS	DATE 03/10/30
		1 PLACE	± .038	MATERIAL NO. SEE CHART	
		ANGULAR ± 1°		DOCUMENT NO. SD-19429-002	
		DRAFT WHERE APPLICABLE		SHEET NO. 1 OF 1	
		MUST REMAIN WITHIN DIMENSIONS		THIS DRAWING CONTAINS INFORMATION THAT IS PROPRIETARY TO MOLEX INCORPORATED AND SHOULD NOT BE USED WITHOUT WRITTEN PERMISSION	

194290035	YES
194290009	NO
MATERIAL NUMBER	GASKET

THIRD ANGLE PROJECTION	REVISE ON CAD ONLY
TITLE 4 WAY PLUG PANEL MOUNT ASSEMBLY 22-14 AWG	
MOLEX MOLEX INCORPORATED	